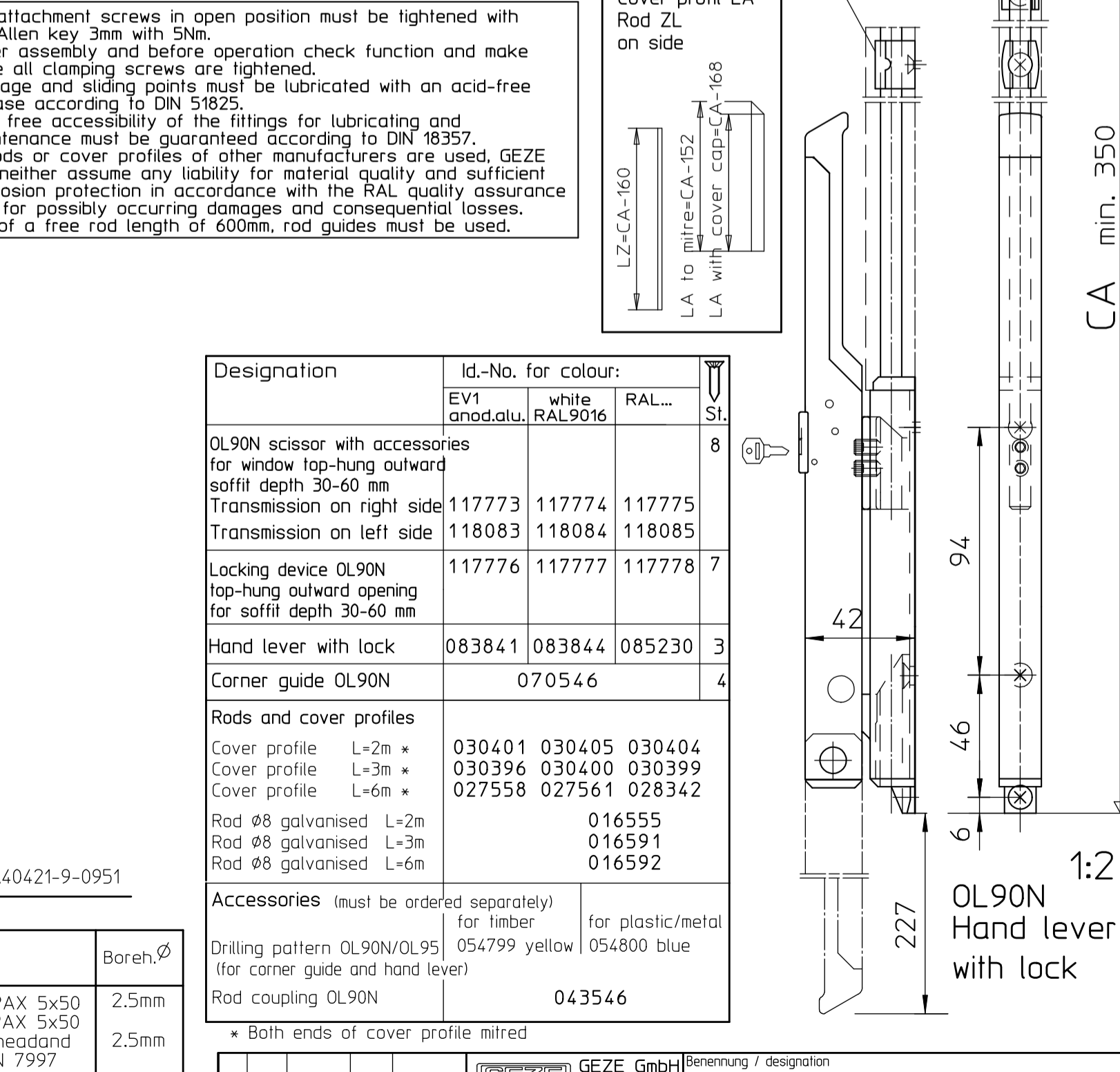
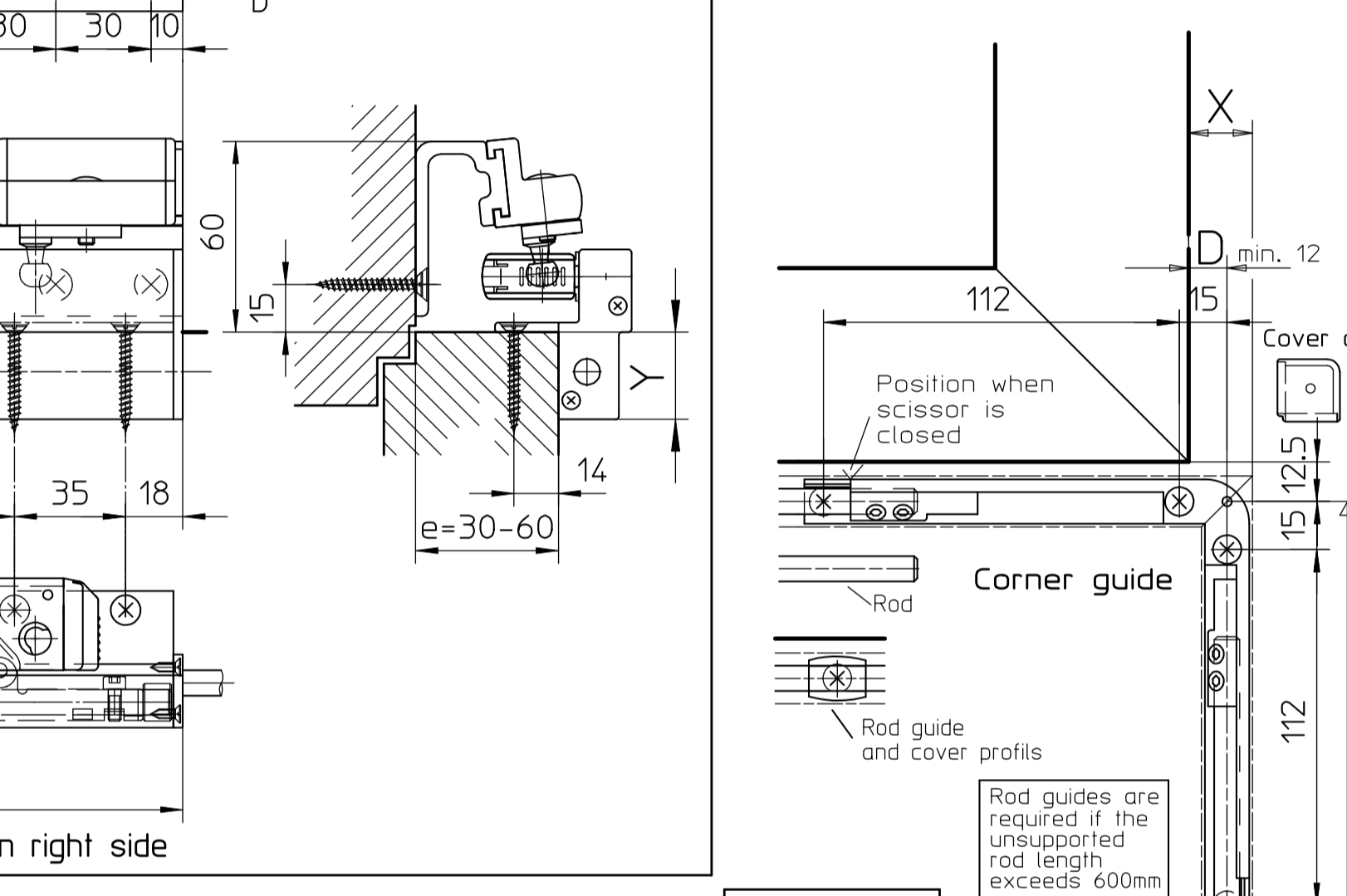
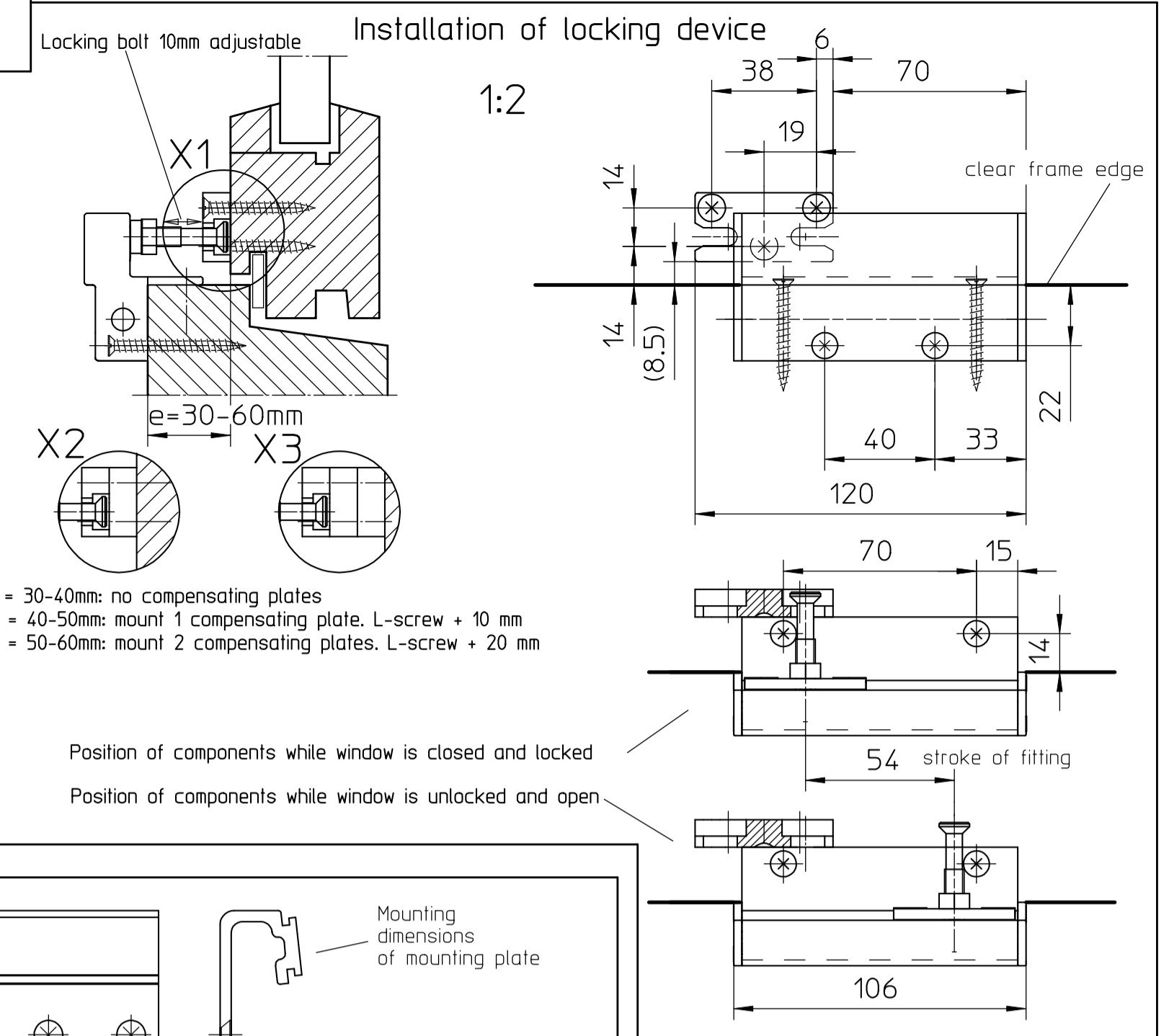
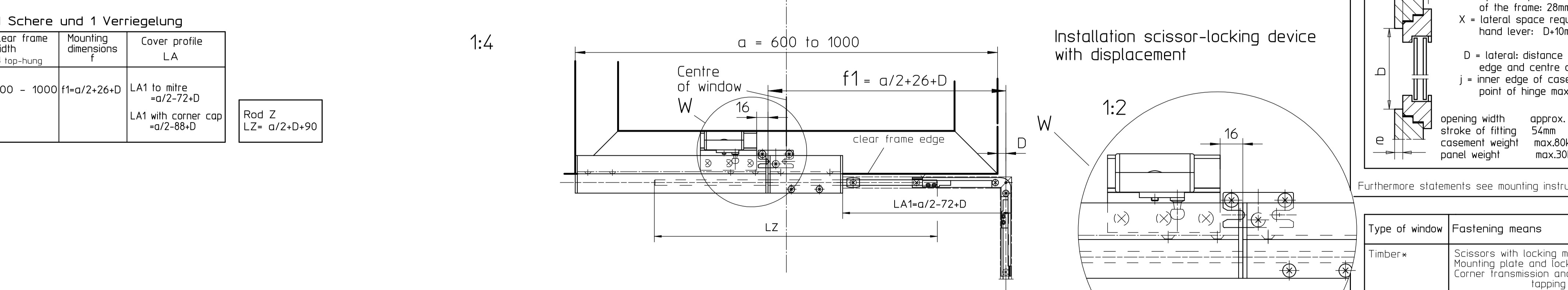
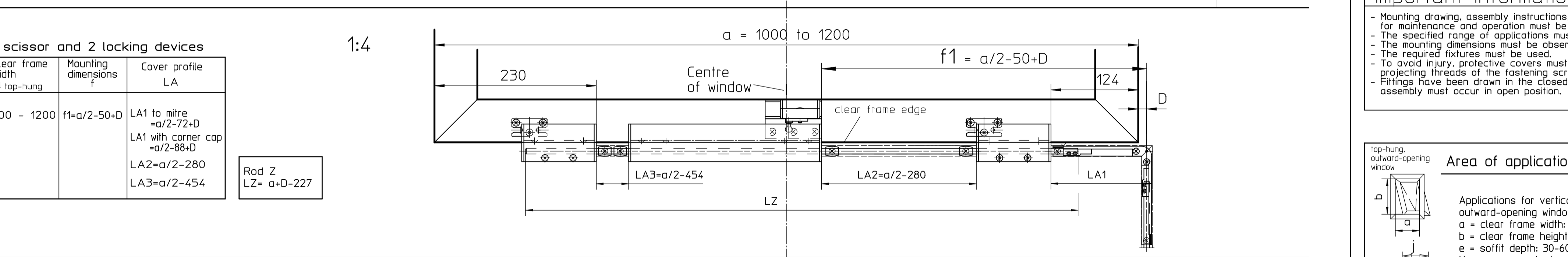
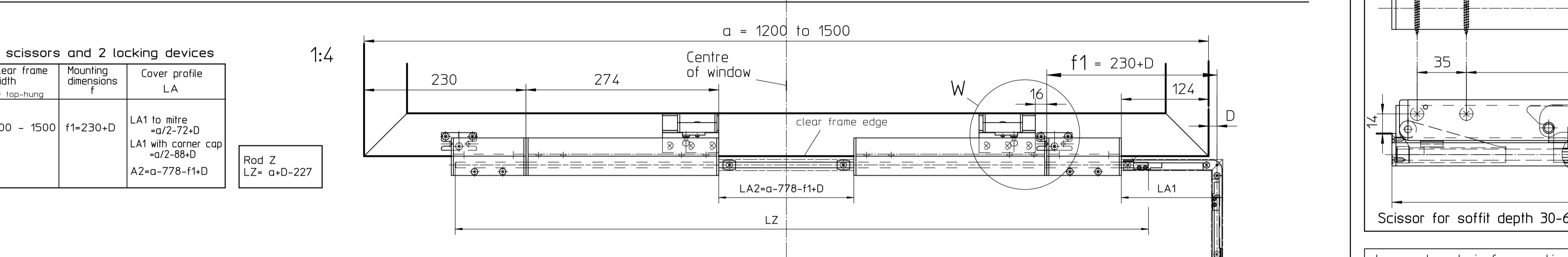
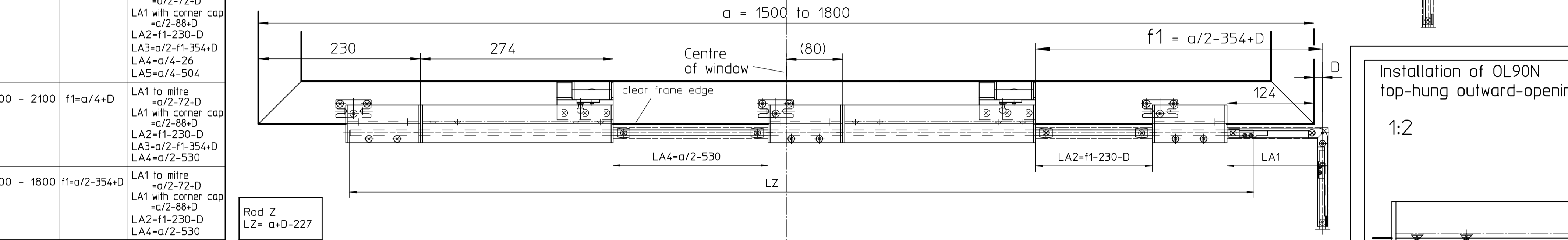
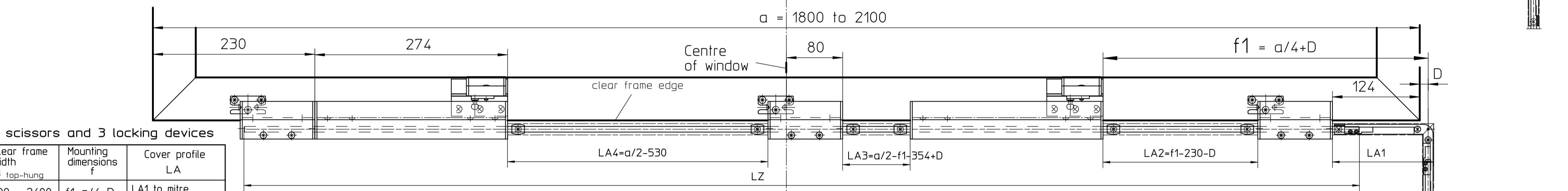
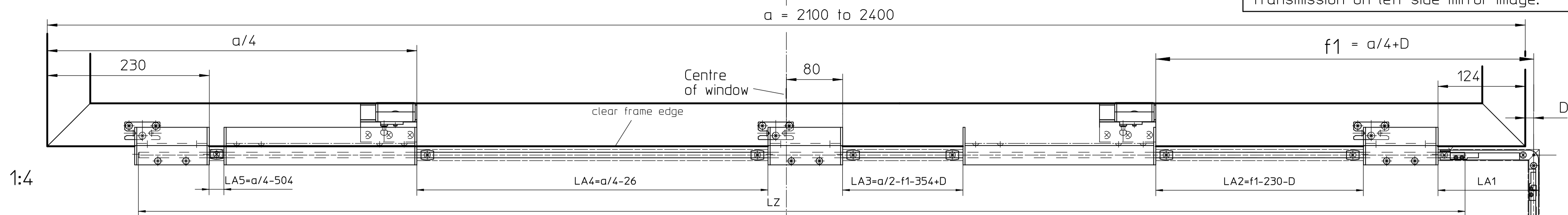


Drawing shows closed scissor, transmission on right side.  
For mounting : scissor must be open.  
Transmission on left side mirror image.



**2 scissors and 3 locking devices**

clear frame width a top-hung	Mounting dimensions f	Cover profile LA
2100 - 2400	f1=a/4+D	LA1 to mitre =a/2-72+D LA1 with corner cap =a/2-88+D LA2=f1-230-D LA3=a/2-f1-354+D LA4=a/4-26 LA5=a/4-504
1800 - 2100	f1=a/4+D	LA1 to mitre =a/2-72+D LA1 with corner cap =a/2-88+D LA2=f1-230-D LA3=a/2-f1-354+D LA4=a/2-530
1500 - 1800	f1=a/2-354+D	LA1 to mitre =a/2-72+D LA1 with corner cap =a/2-88+D LA2=f1-230-D LA4=a/2-530

**2 scissors and 2 locking devices**

clear frame width a top-hung	Mounting dimensions f	Cover profile LA
1200 - 1500	f1=230+D	LA1 to mitre =a/2-72+D LA1 with corner cap =a/2-88+D A2=a-778-f1+D

**1 scissor and 2 locking devices**

clear frame width a top-hung	Mounting dimensions f	Cover profile LA
1000 - 1200	f1=a/2-50+D	LA1 to mitre =a/2-72+D LA1 with corner cap =a/2-88+D LA2=a/2-280 LA3=a/2-454

**1 Schere und 1 Verriegelung**

clear frame width a top-hung	Mounting dimensions f	Cover profile LA
600 - 1000	f1=a/2+26+D	LA1 to mitre =a/2-72+D LA1 with corner cap =a/2-88+D

**Installation of OL90N top-hung outward-opening**

**Important information:**

- Mounting drawing, assembly instructions, requirements for maintenance and operation must be followed.
- The specified range of applications must be observed.
- The required fixtures must be used.
- To avoid injury, protective covers must be screwed on projecting threads of the fastening screws.
- Fittings have been drawn in the closed position, however, assembly must occur in open position.
- All attachment screws in open position must be tightened with an Allen key 3mm with 5Nm.
- After assembly and before operation check function and make sure all clamping screws are tightened.
- Linkage and sliding points must be lubricated with an acid-free grease according to DIN 51825.
- The free accessibility of the fittings for lubricating and maintenance must be guaranteed according to DIN 18357.
- If rods or cover profiles of other manufacturers are used, GEZE will neither assume any liability for material quality and sufficient corrosion protection in accordance with the RAL quality assurance nor for possibly occurring damages and consequential losses.
- As of a free rod length of 600mm, rod guides must be used.

**Area of application**

Applications for vertical, top-hung outward-opening windows only.  
 a = clear frame width: 600 to 2400 mm  
 b = clear frame height: min. 370 mm  
 e = soffit depth: 30-60 mm  
 Y = space required on the bottom of the frame: 28mm  
 X = lateral space required on the frame: hand lever: D+10mm (min.22mm)  
 D = lateral distance between clear frame edge and centre of rod min 12mm  
 j = inner edge of casement to pivot point of hinge max.70mm

opening width approx. 170mm  
 stroke of fitting 54mm  
 casement weight max.80kg  
 panel weight max.30kg/m²

Type of window	Fastening means (are not included in scope of delivery)	Bore, Ø
Timber*	Scissors with locking mechanism on the frame SPAX 5x50 Mounting plate and lock SPAX 5x50 Corner transmission and operation; Countersunk-head and tapping screws 4x35 DIN 97 / DIN 7997	2.5mm 2.5mm
Aluminium	Countersunk tapping screws 4.2xL DIN7972 / DIN7982 Screw must penetrate the profile wall by at least 1.8mm	3.5mm
Plastic with steel reinforcement	Countersunk tapping screws 4.2xL DIN7972 / DIN7982 Screw must penetrate at least two profile walls	3.5mm

Designation	Id.-No. for colour:		
	EVI	white	RAL...
	anod.alu.	RAL 9016	
OL90N scissor with accessories for window top-hung outward soffit depth 30-60 mm	117773	117774	117775
Transmission on right side	118083	118084	118085
Transmission on left side	117776	117777	117778
Locking device OL90N top-hung outward opening for soffit depth 30-60 mm	083841	083844	085230
Hand lever with lock	070546		
Corner guide OL90N			
<b>Rods and cover profiles</b>			
Cover profile L=2m	030401	030405	030404
Cover profile L=3m	030396	030400	030399
Cover profile L=6m	027558	027561	028342
Rod Ø8 galvanised L=2m	016555		
Rod Ø8 galvanised L=3m	016591		
Rod Ø8 galvanised L=6m	016592		
<b>Accessories (must be ordered separately)</b>			
Drilling pattern OL90N/OL95 for timber	054799	yellow	
Drilling pattern OL90N/OL95 for plastic/metal			054800 blue
Rod coupling OL90N	043546		

Diese Zeichnung entspricht dem Entwicklungsstand des Zeichnungsdatums bzw. der letzten Änderungsverteilung. Aus der Benutzung der Zeichnung können keine Ansprüche gegen GEZE oder andere Hersteller von Schließwerkzeugen, insbesondere GEZE, abgeleitet werden. Die Zeichnung stellt einen Entwurf dar und ist nicht für die Herstellung von Bauteilen geeignet. Sollten sich aus der Zeichnung ergebende Ansprüche hierin ausdrücklich abgelehnt werden. GEZE ist für die vorliegende Zeichnung nicht haftbar. Diese Zeichnung wird unverändert nach unten zugänglich gemacht werden. This drawing shows the actual state of product development at the time of the drawing or the revision. No claims can be made against GEZE as a result of the use of this drawing. This drawing remains the property of GEZE and is made available to third parties only for the duration of contractual obligations. All rights reserved. The drawing remains the property of GEZE. This drawing may not be copied or reprinted over to third parties without the express consent of GEZE.